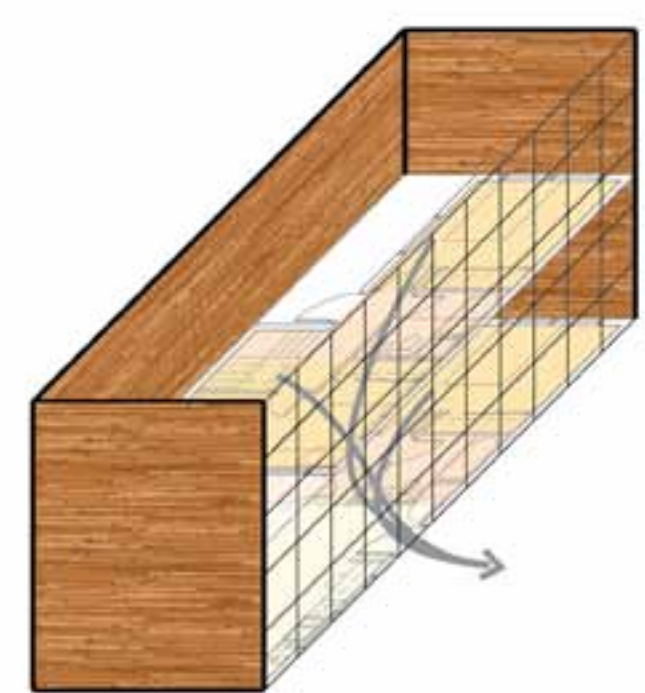
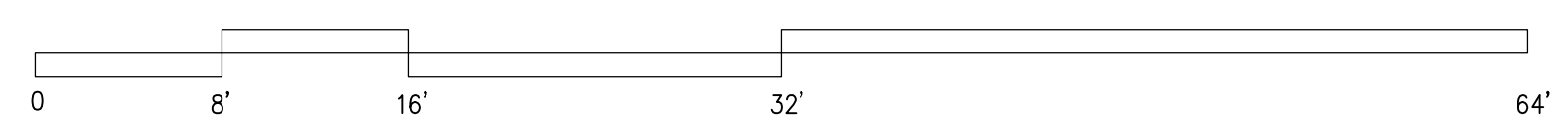
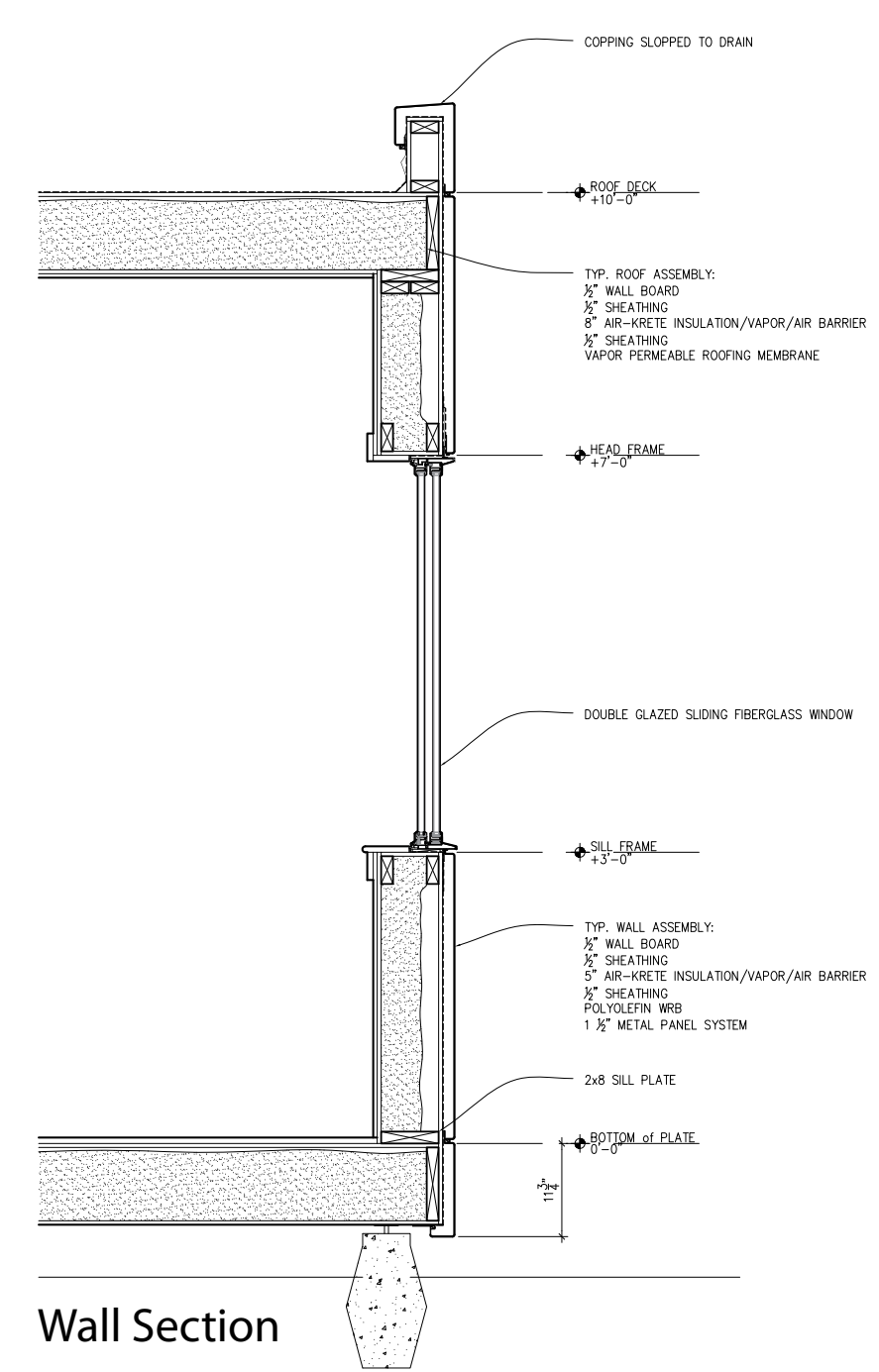
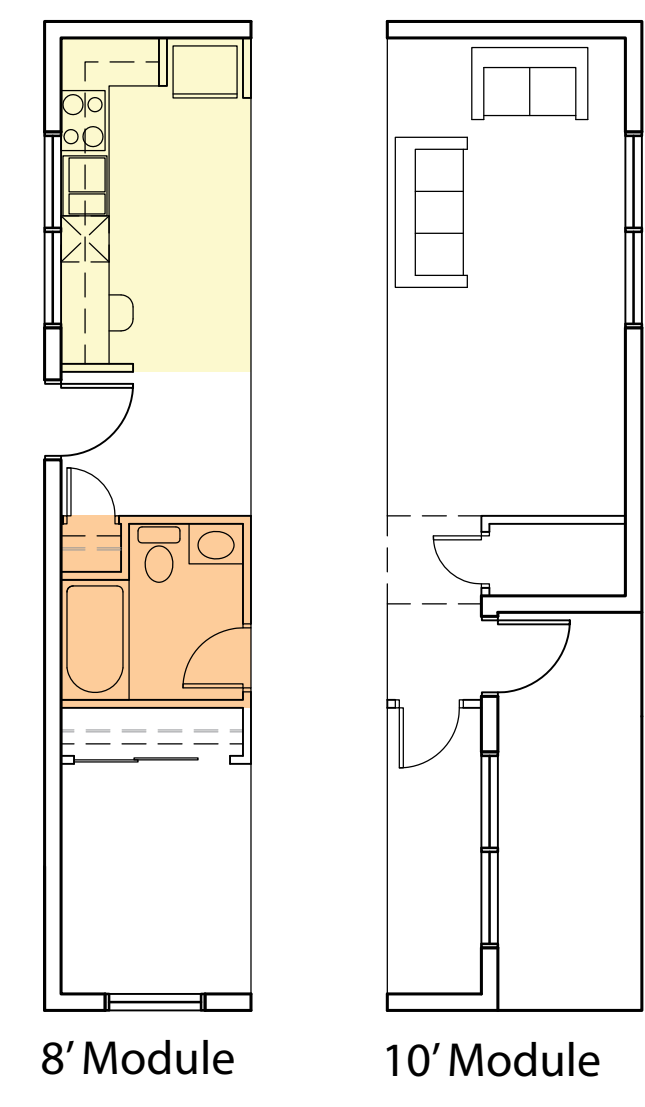
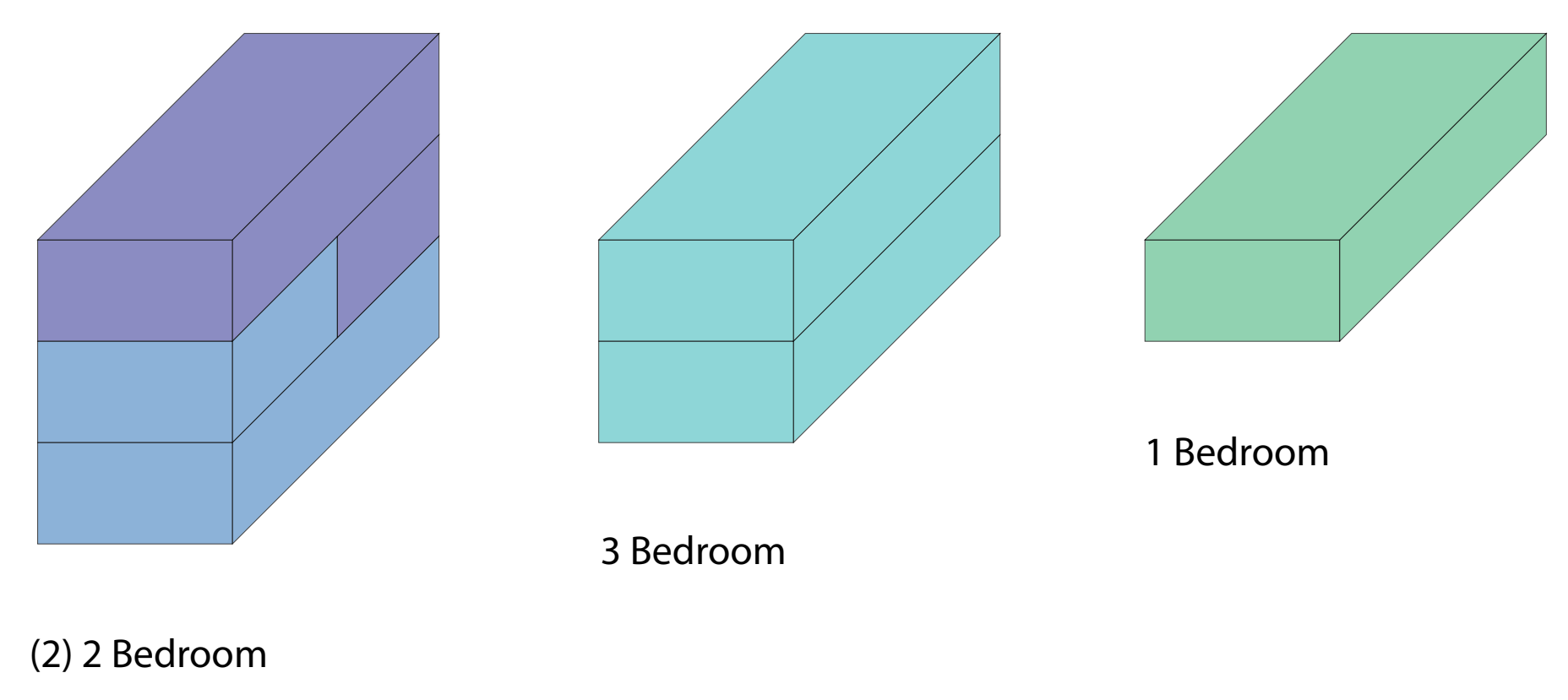
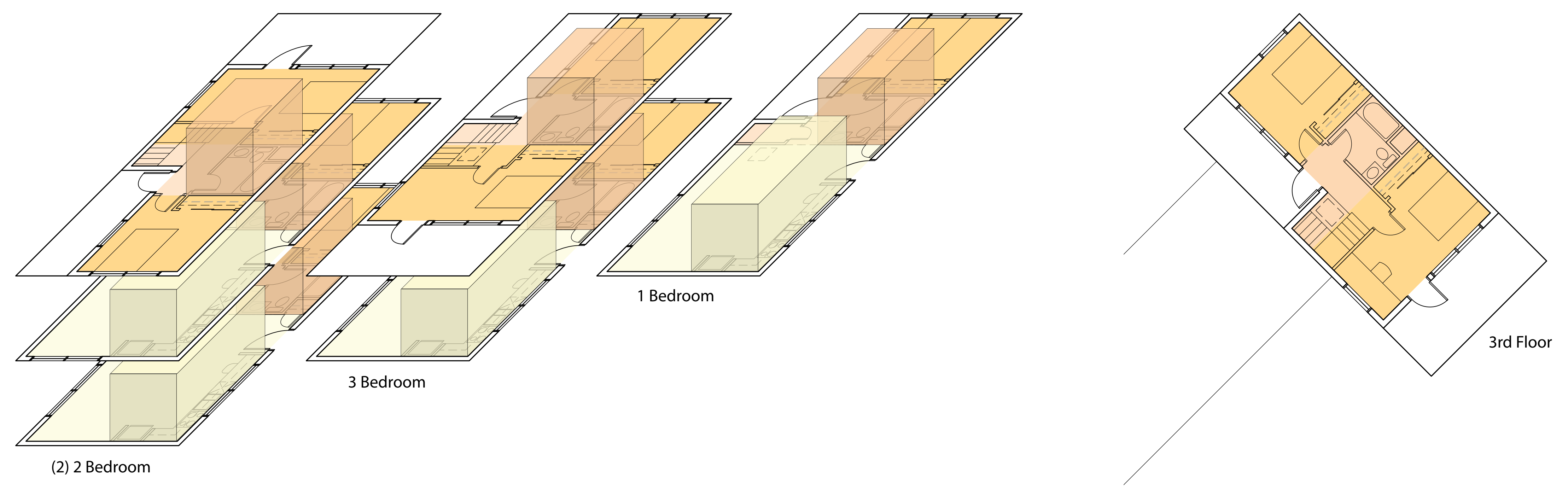


**Unit:**



The three sided container is reiterated on the unit scale with three clapboard walls with a lighter panelized open wall. The units make use of modularity and off site construction. Their dimensions act as the building blocks of the cluster and site. Designed to optimize the 4'x8' panel and form a tight thermal envelope. The techtonics of manufactured housing is used for sustainability.



400,031 lbs of CO2 Prevented or 32.22 Acres of Trees



32,219 sq ft of Rooftop PV or 322 kW PV Array

Total Energy Demand: 367,433 kWh Annually

98% of Site Energy 361,304 kWh Annually

Demand est. per 2009 DOE BEDB  
Supply est. per OR DOE & Energy Trust